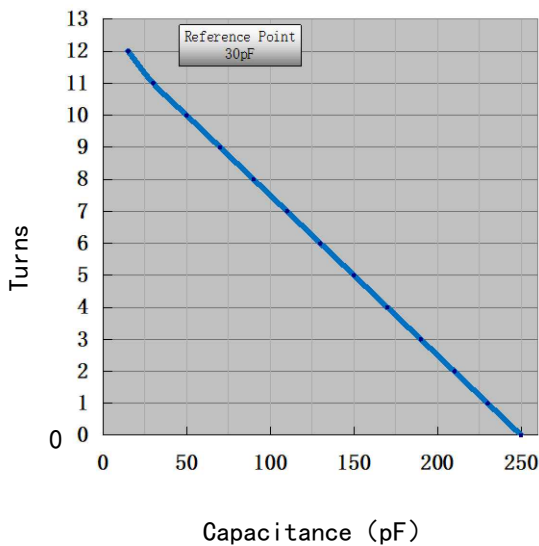
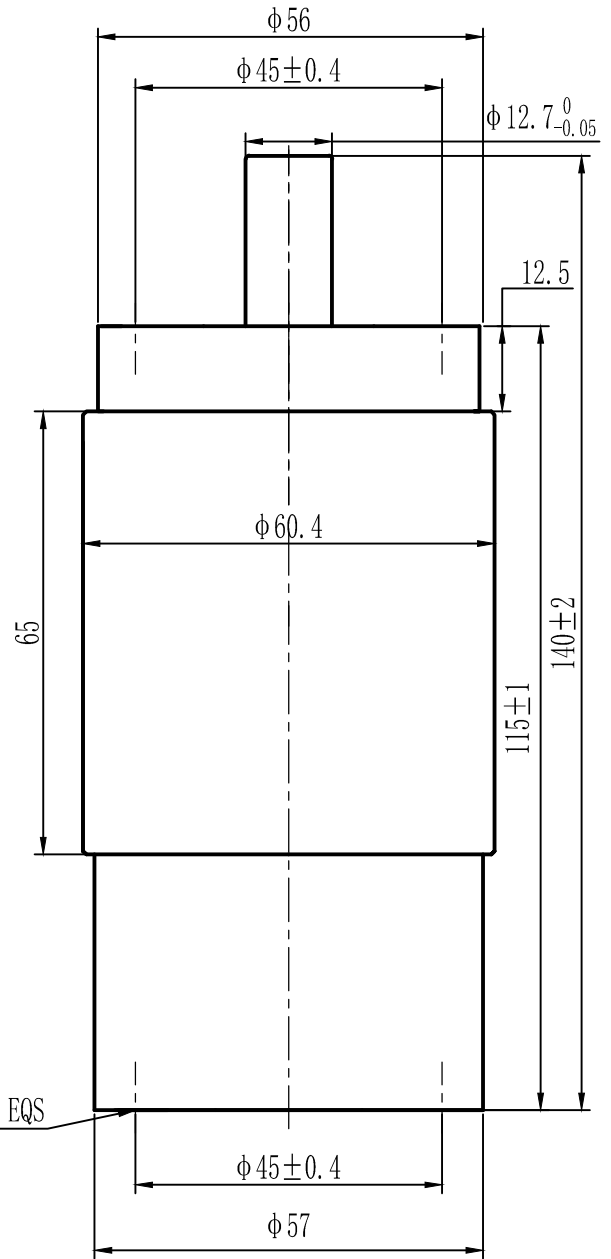


Data-Sheet-Variable Vacuum Capacitor CKTB250/15/100

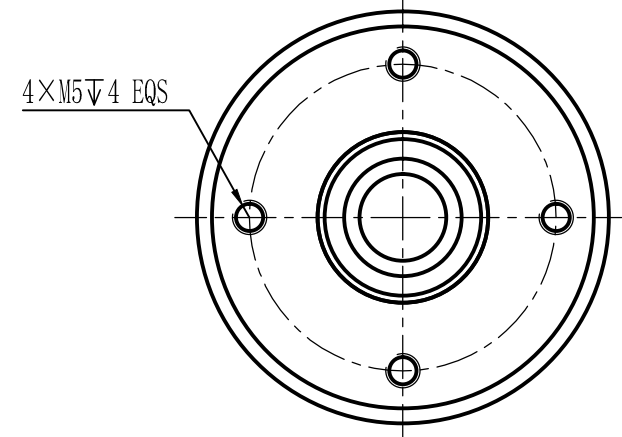
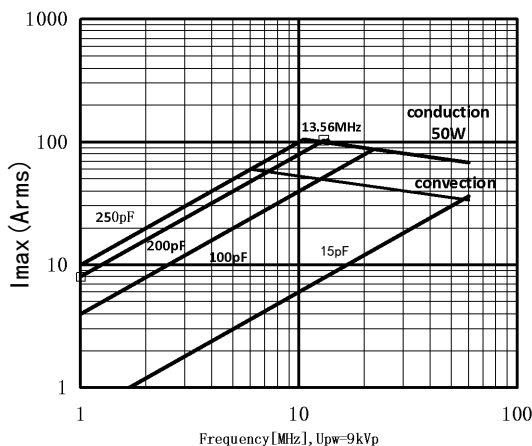


www.glvac.com

Specification	
Capacity C_{max} (nominal)	250pF
Capacity C_{min} (nominal)	15pF
Voltage (Peak Test U_{pt} /Peak Working U_{pw})	15kVp/9kVp
Capacity tolerance (Linear Range)	$\pm 10\%$
Max. Current I_{max} at 13.56MHz with	100Arms
Conduction Cooling	50W
Tuner Turns	12 ± 1
Capacitance per turn	20pF/turn
Torque	$\leq 0.2Nm$
Net Weight	1.0kg



I_{max} at 25°C ambient and 125 °C surface temp. for convection and conduction (50W) cooling



UNLESS OTHERWISE SPECIFIED:

≤ 30 : ± 0.5 $30 \sim 400$: ± 1.2 ≥ 400 : ± 2.5 \angle : $\pm 1^\circ$

Rev: 00

Page 1/1

Issue: 12-Jan-2023

Address: ST28 Xihu Road, Kunshan, Jiangsu Province, China
TEL: +86 (512) 36872110

Web: www.glvac.com
FAX: +86 (512) 36872122

E-mail: e-sales@glvac.cn
Zip Code: 215333