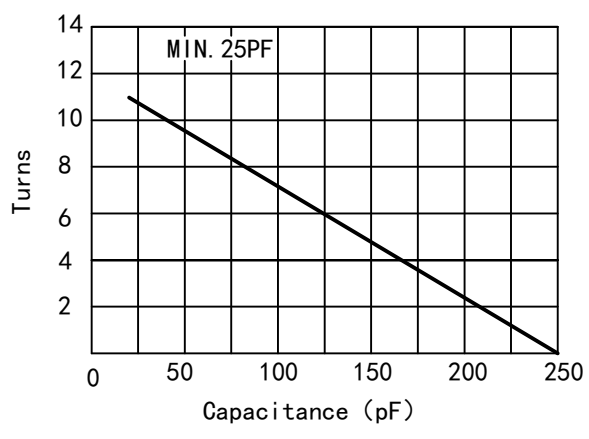
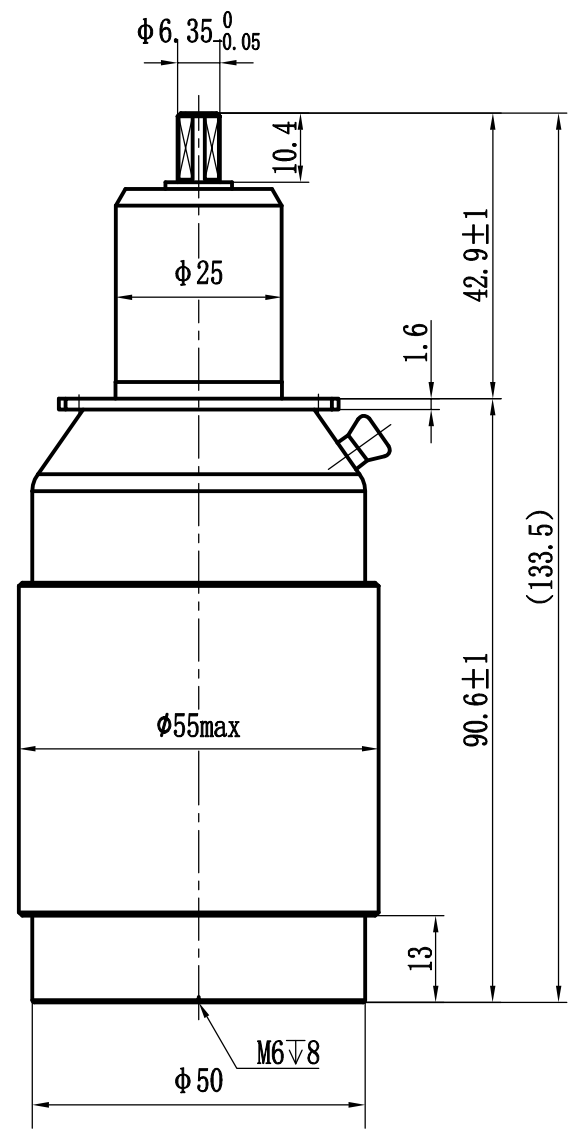


Data-Sheet-Variable Vacuum Capacitor CKTB250/15/94N1



www.glvac.com

Specification	
Capacity C_{max} (nominal)	250pF
Capacity C_{min} (nominal)	25pF
Voltage (Peak Test U_{pt} /Peak Working U_{pw})	15kVp/9kVp
Capacity tolerance (liner Range)	$\pm 10\%$
Max. Current I_{max} at 13.56MHz with conduction cooling	94Arms
	20W
Tuner Turns	11.5 ± 0.5
Capacitance per turn	21.4pF/turn
Torque	$\leq 0.2N \cdot m$
Net Weight	0.6kg



I_{max} at 25°C ambient and 125 °C surface for convection and conduction (20W) cooling.

