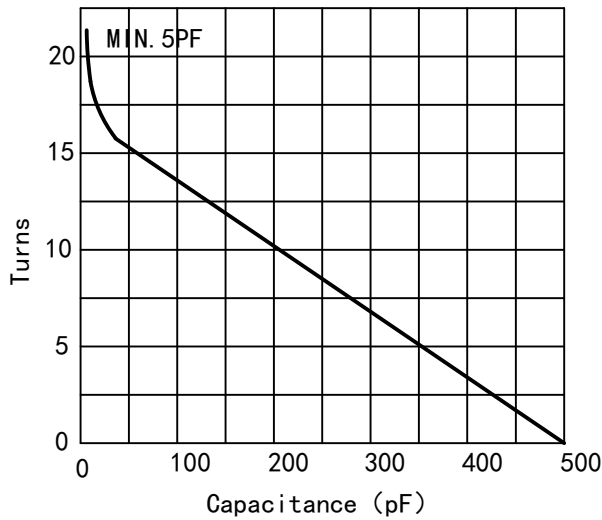
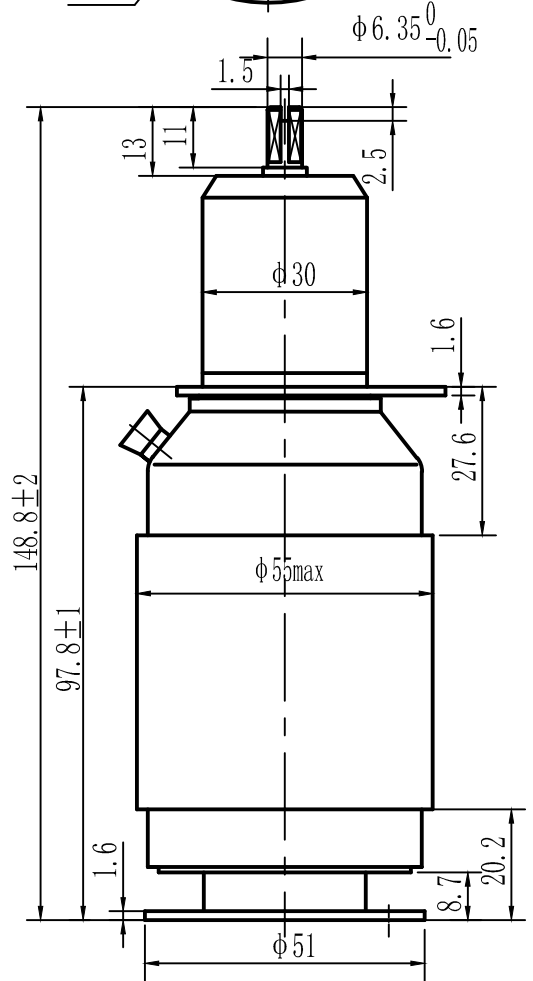
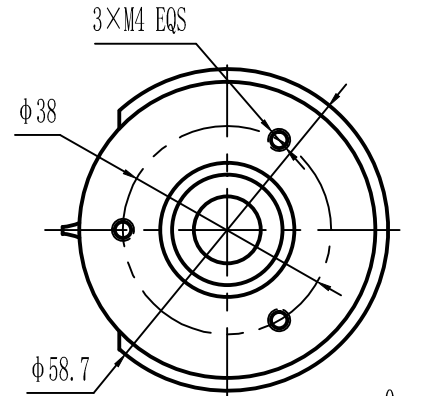


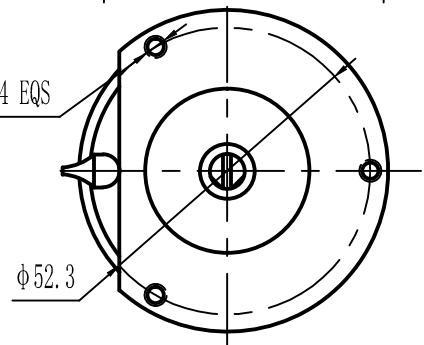
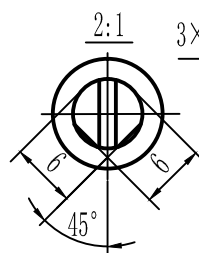
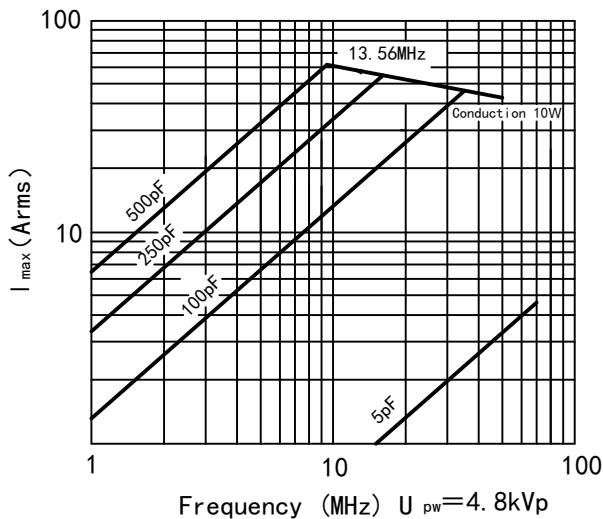
# Data-Sheet-Variable Vacuum Capacitor CKTB500/8/57N1



Specification	
Capacity $C_{max}$ (nominal)	500pF
Capacity $C_{min}$ (nominal)	5pF
Voltage (Peak Test $U_{pt}$ /Peak Working $U_{pw}$ )	8kVp/4.8kVp
Capacity tolerance (linear Range)	10%
Max. Current $I_{max}$ at 13.56MHz with	57Arms
Conduction Cooling	10W
Turns	22±1
Capacitance per turn	29.1pF/turn
Torque	≤0.15Nm
Net Weight	<0.7kg



$I_{max}$  at ambient and 125 °C surface temp. for convection and conduction (10w) cooling



UNLESS OTHERWISE SPECIFIED:  
 ≤30: ±0.5    30~400: ±1.2    ≥400: ±2.5    ∠: ±1°

Rev: 00

Page1/1

Issue: 8-Sep-2023

Address: ST28 Xihu Road, Kunshan, Jiangsu Province, China  
 TEL: +86 (512) 36872110

Web: www.glvac.com  
 FAX: +86 (512) 36872122

E-mail: e-sales@glvac.cn  
 Zip Code: 215333