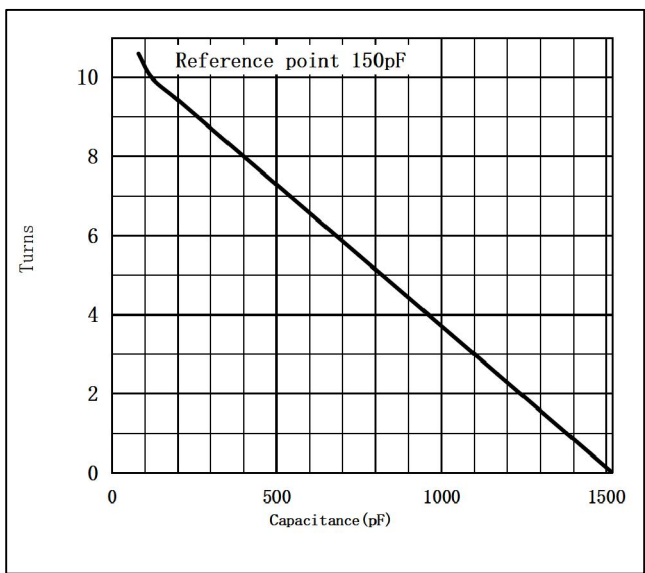
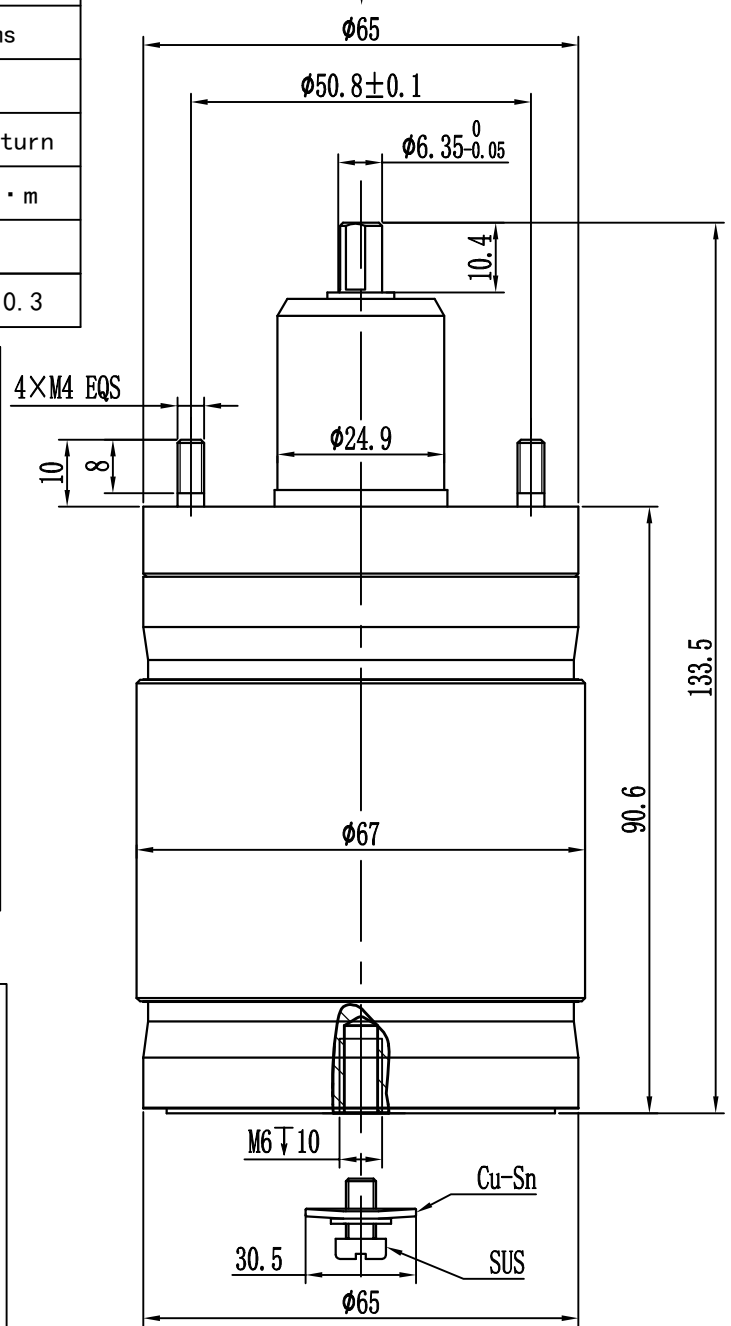
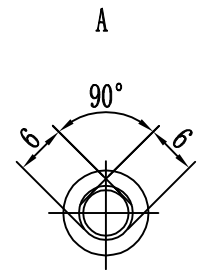


# Data-Sheet-Motorized Vacuum Capacitor YL67D-5-1500TC

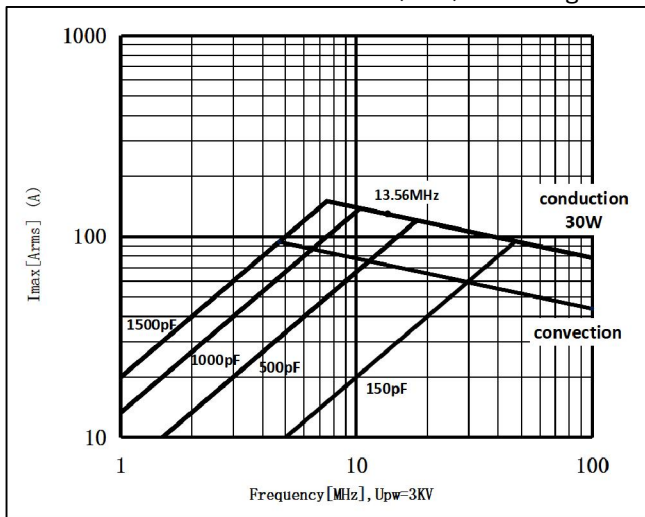


www.glvac.com

Specification	
Capacity $C_{max}$ (nominal)	1500pF
Capacity $C_{min}$ (nominal)	150pF
Voltage (Peak Test $U_{pt}$ /Peak Working $U_{pw}$ )	5kVp/3kVp
Capacity tolerance (linear Range)	$\pm 5\%$
Max. Current $I_{max}$ at 13.56MHz with	130Arms
Conduction Cooling	30W
Capacitance per turn	140pF/turn
Torque	$\leq 0.2N \cdot m$
Net Weight	1kg
Turns	$10.5 \pm 0.3$



$I_{max}$  at 25 °C ambient and 125 °C surface for convection and conduction (30w) cooling



1. This capacitor will be rhodium plating.
2. This capacitor will use laser marking and without GL logo/Made in China.

UNLESS OTHERWISE SPECIFIED:

$\leq 30: \pm 0.5$   $30 \sim 400: \pm 1.2$   $\geq 400: \pm 2.5$   $\angle \pm 1^\circ$

Address: ST28 Xihu Road, Kunshan, Jiangsu Province, China  
TEL: +86 (512) 36872110

Web: www.glvac.com  
FAX: +86 (512) 36872122

E-mail: e-sales@glvac.com  
Zip Code: 215333

Rev:00

Page 1/1

Issue: 24-Aug-2023