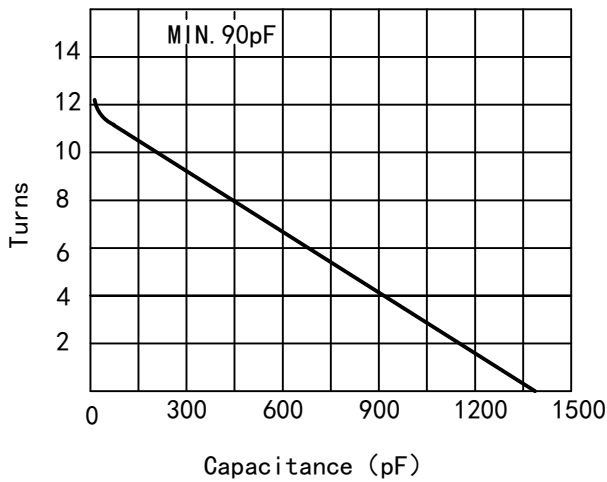
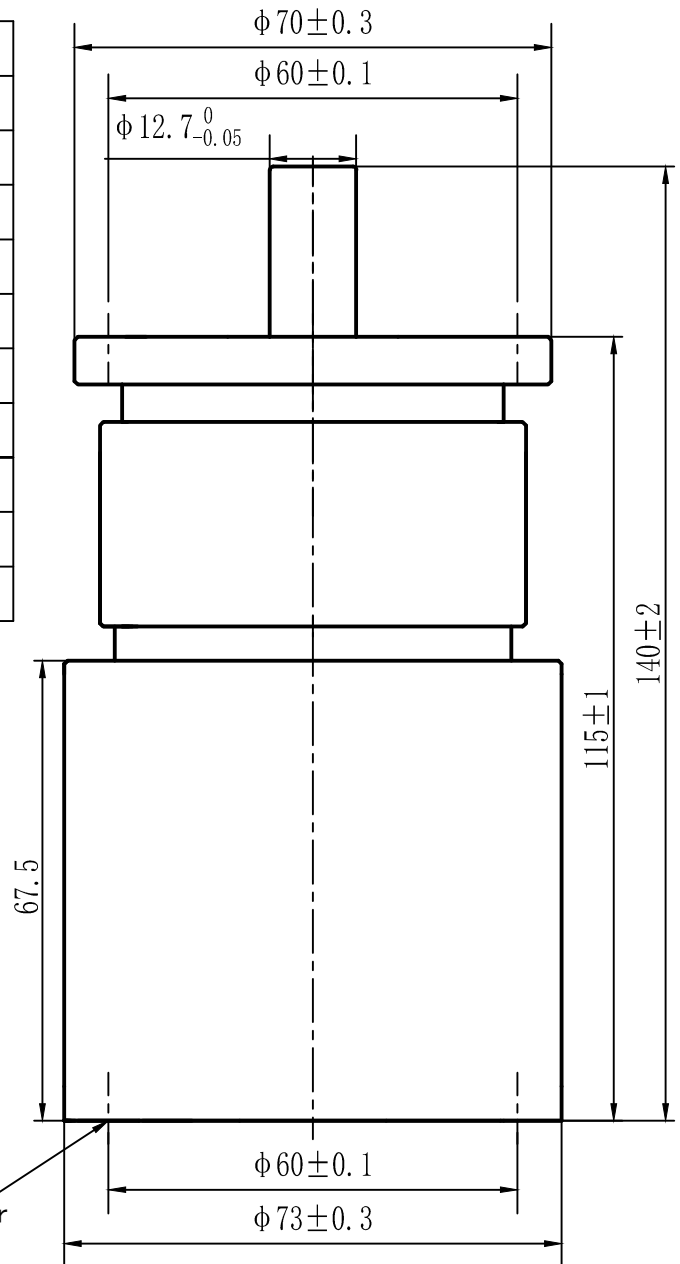


Data-Sheet-Variable Vacuum Capacitor CKTB1400/3.5/100

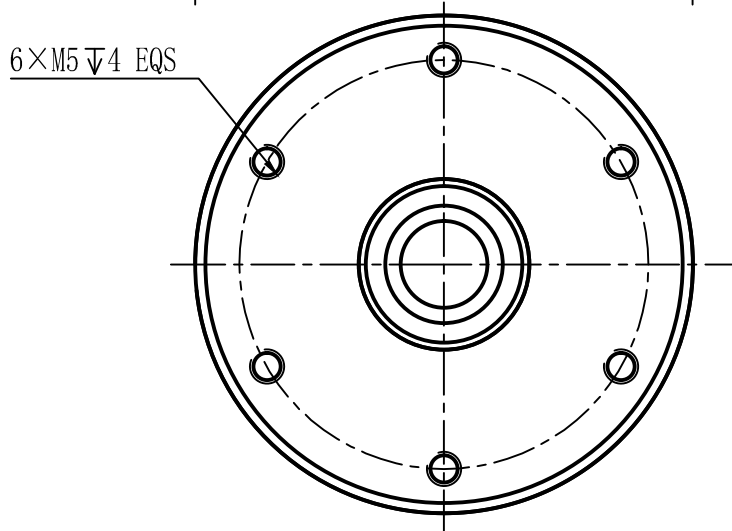
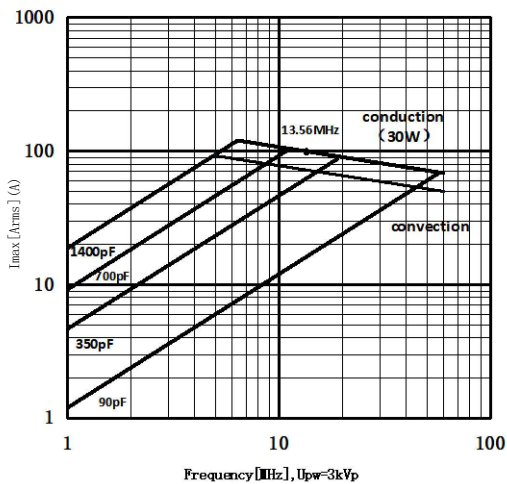


www.glvac.com

Specification	
Capacity C_{max} (nominal)	1400pF
Capacity C_{min} (nominal)	90pF
Voltage (Peak Test U_{pt} /Peak Working U_{pw})	5kVp/3kVp
Capacity tolerance (Linear Range)	$\pm 10\%$
Max. Current I_{max} at 13.56MHz with	100Arms
Conduction Cooling	30W
Tuner Turns	12 ± 1
Capacitance per turn	115.4pF/turn
Torque	$\leq 0.2\text{Nm}$
Net Weight	1.5kg



I_{max} at 25°C ambient and 125 °C surface temp. for convection and conduction (30W) cooling.



UNLESS OTHERWISE SPECIFIED:

≤ 30 : ± 0.5 30~400: ± 1.2 ≥ 400 : ± 2.5 \angle : $\pm 1^\circ$

Address: ST28 Xihu Road, Kunshan, Jiangsu Province, China
TEL: +86 (512) 36872110

Rev: 01

Page 1/1

Issue: 24-June-2022

Web: www.glvac.com
FAX: +86 (512) 36872122

E-mail: e-sales@glvac.cn
Zip Code: 215333