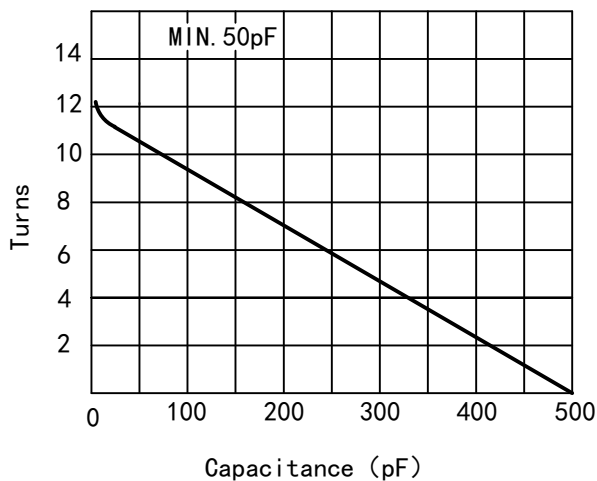
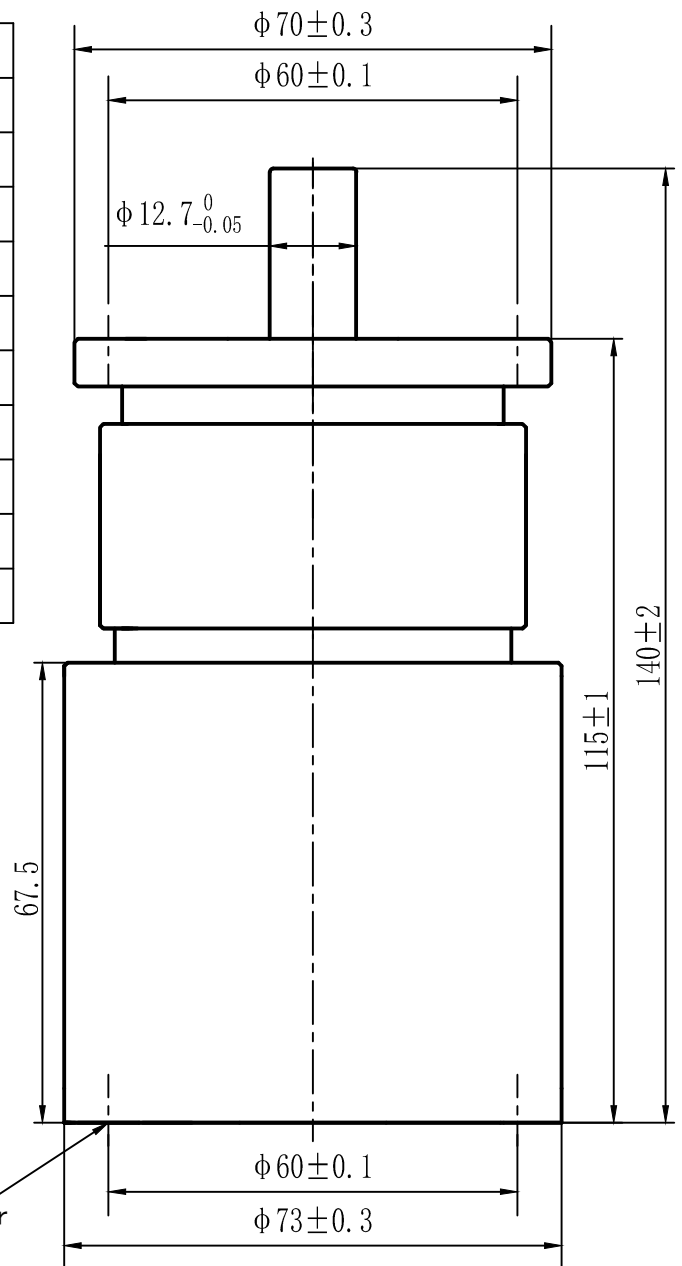


# Data-Sheet-Variable Vacuum Capacitor CKTB500/15/100

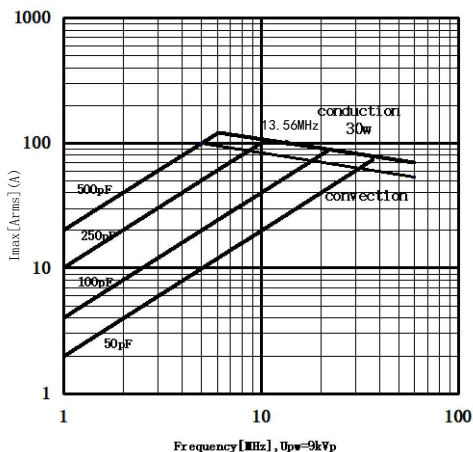


www.glvac.com

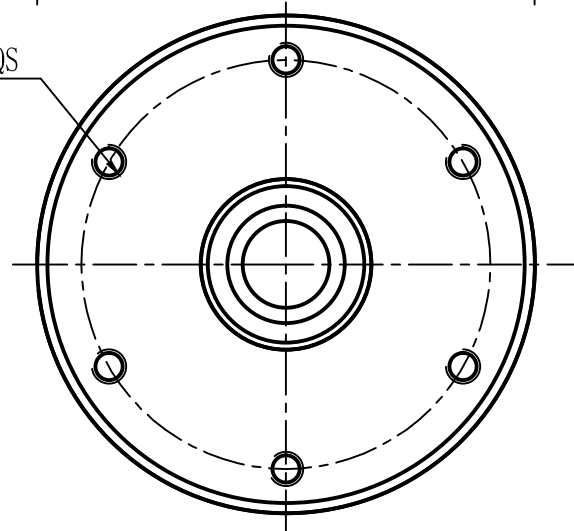
Specification	
Capacity $C_{max}$ (nominal)	500pF
Capacity $C_{min}$ (nominal)	50pF
Voltage (Peak Test $U_{pt}$ /Peak Working $U_{pw}$ )	15kVp/9kVp
Capacity tolerance (Linear Range)	$\pm 10\%$
Max. Current $I_{max}$ at 13.56MHz with	100Arms
Conduction Cooling	30W
Tuner Turns	$12 \pm 1$
Capacitance per turn	42pF/turn
Torque	$\leq 0.2Nm$
Net Weight	1.5kg



$6 \times M5 \nabla 4$  EQS  
 $I_{max}$  at 25°C ambient and 125 °C surface temp. for convection and conduction (30W) cooling.



$6 \times M5 \nabla 4$  EQS



UNLESS OTHERWISE SPECIFIED:

$\leq 30$ :  $\pm 0.5$  30~400:  $\pm 1.2$   $\geq 400$ :  $\pm 2.5$   $\angle$ :  $\pm 1^\circ$

Rev: 00

Page1/1

Issue: 20-June-2022

Address: ST28 Xihu Road, Kunshan, Jiangsu Province, China  
 TEL: +86 (512) 36872110

Web: www.glvac.com  
 FAX: +86 (512) 36872122

E-mail: e-sales@glvac.cn  
 Zip Code: 215333