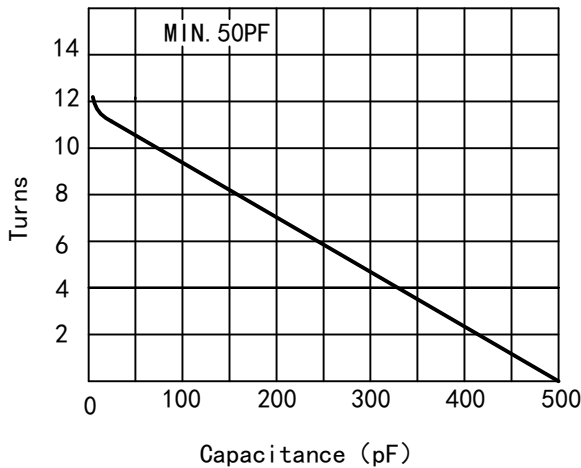
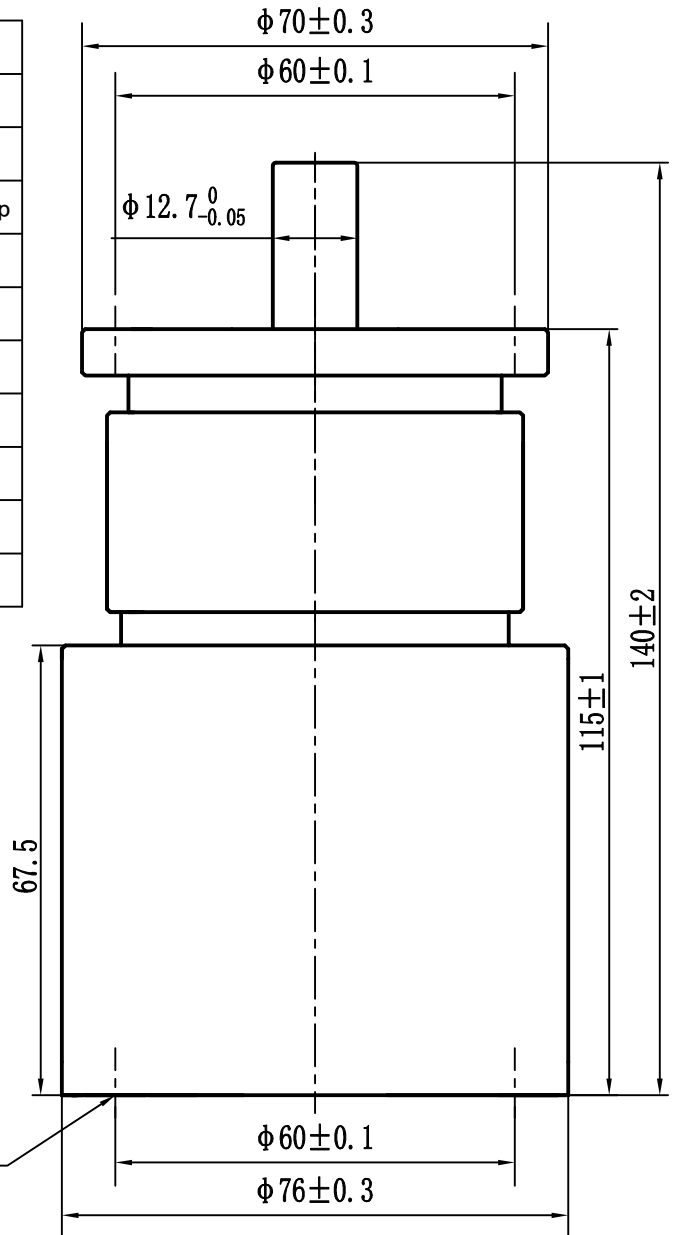


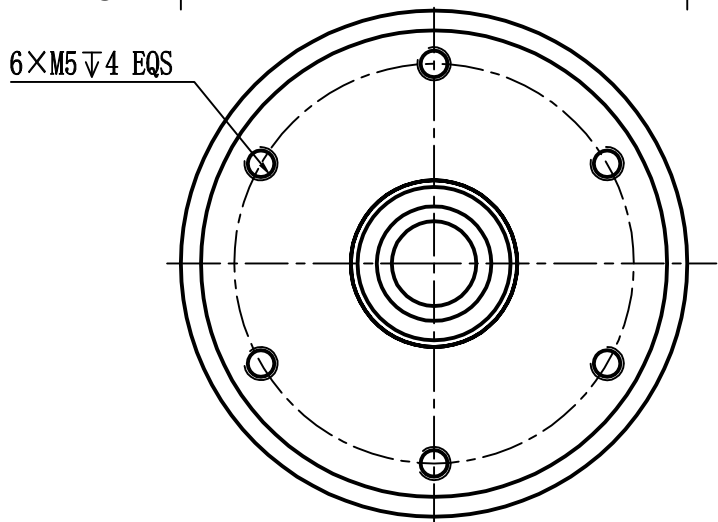
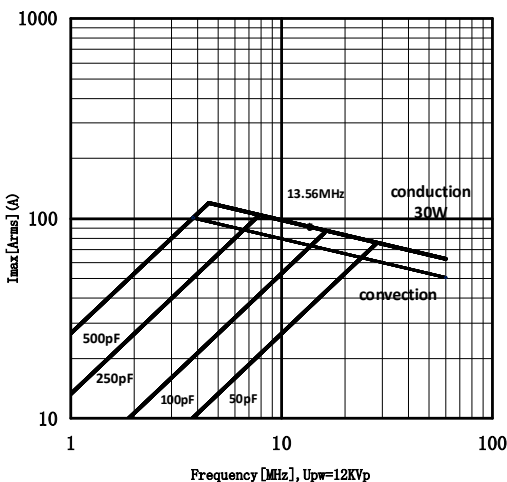
# Data-Sheet-Variable Vacuum Capacitor CKTB500/20/90 ( I )



Specification	
Capacity $C_{max}$ (nominal)	500pF
Capacity $C_{min}$ (nominal)	50pF
Voltage (Peak Test $U_{pt}$ /Peak Working $U_{pw}$ )	20kVp/12kVp
Capacity tolerance (linear Range)	$\pm 10\%$
Max. Current $I_{max}$ at 13.56MHz with Conduction Cooling	90Arms 30W
Tuner Turns	$12 \pm 1$
Capacitance per turn	42pF/turn
Torque	$\leq 0.2Nm$
Net Weight	1.5kg



$I_{max}$  at ambient and 125 °C surface temp. for convection cooling and conduction (30W) cooling.



UNLESS OTHERWISE SPECIFIED:

$\leq 30$ :  $\pm 0.5$      $30 \sim 400$ :  $\pm 1.2$      $\geq 400$ :  $\pm 2.5$      $\angle$ :  $\pm 1^\circ$

Address: ST28 Xihu Road, Kunshan, Jiangsu Province, China  
TEL: +86 (512) 36872110

Rev: 00

Web: www.glvac.com  
FAX: +86 (512) 36872122

Page 1/1

Issue: 10-Feb-2023

E-mail: e-sales@glvac.cn  
Zip Code: 215333