

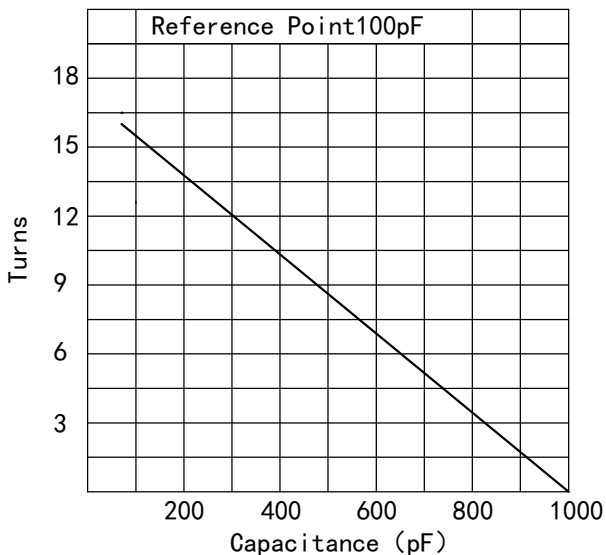
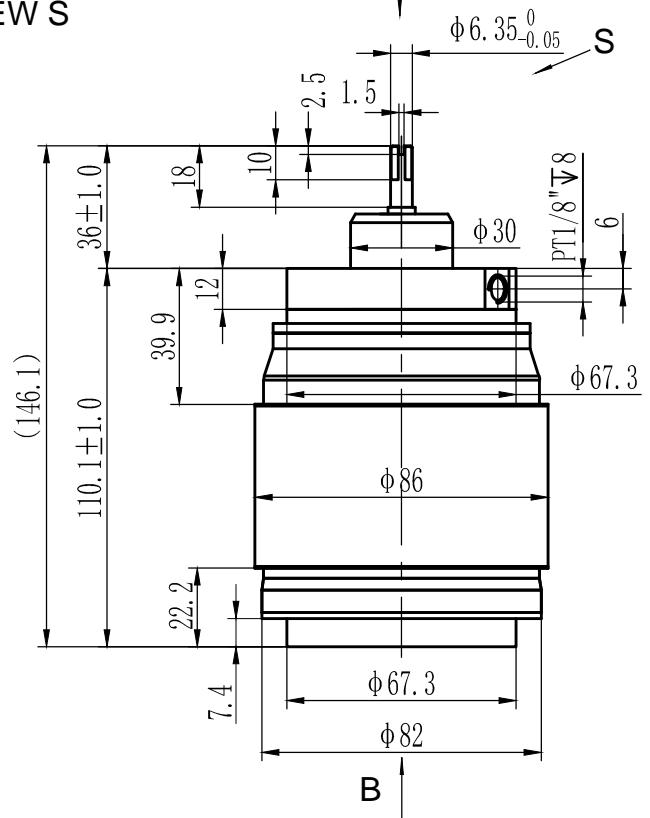
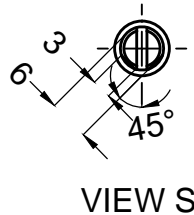
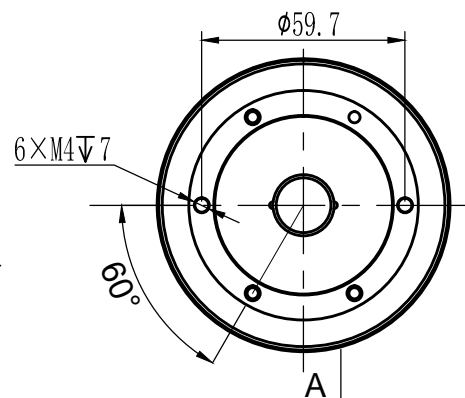
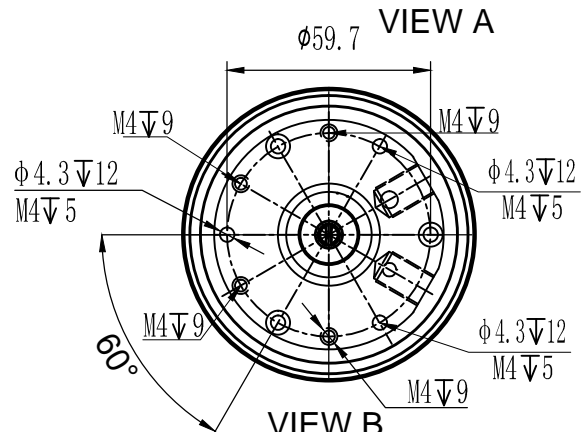
# Data-Sheet-Variable Vacuum Capacitor

## CKTBS1000/5/150

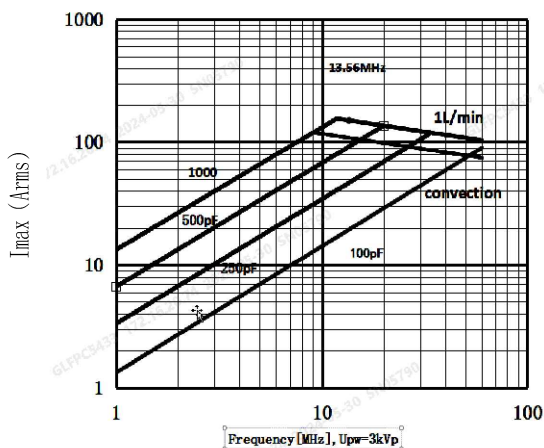


www.glvac.com

Specification	
Capacity $C_{max}$ (nominal)	1000pF
Capacity $C_{min}$ (nominal)	100pF
Voltage (Peak Test $U_{pt}$ /Peak Working $U_{pw}$ )	5KVp/3KVp
Capacity Tolerance (Linear Range)	10%
Max. Current $I_{max}$ at 13.56MHz with	150Arms
Water Cooling	1 L/min
Capacitance per turn	58.4pF/turn
Turns	$16.5 \pm 1$
Torque	$\leq 0.2 \text{ N} \cdot \text{m}$
Net Weight	1.7kg



$I_{max}$  for 1L/min water cooling;  
max. water temp. at inlet: 70°C



UNLESS OTHERWISE SPECIFIED:

$\leq 30$ :  $\pm 0.5$  30~400:  $\pm 1.2$   $\geq 400$ :  $\pm 2.5$   $\angle$ :  $\pm 1^\circ$

Address: ST28 Xihu Road, Kunshan, Jiangsu Province, China  
TEL: +86 (512) 36872110

Rev: 10

Page 1/1

Issue: 03-Sep-2024

Web: www.glvac.com  
FAX: +86 (512) 36872122

E-mail: e-sales@glvac.cn  
Zip Code: 215333