

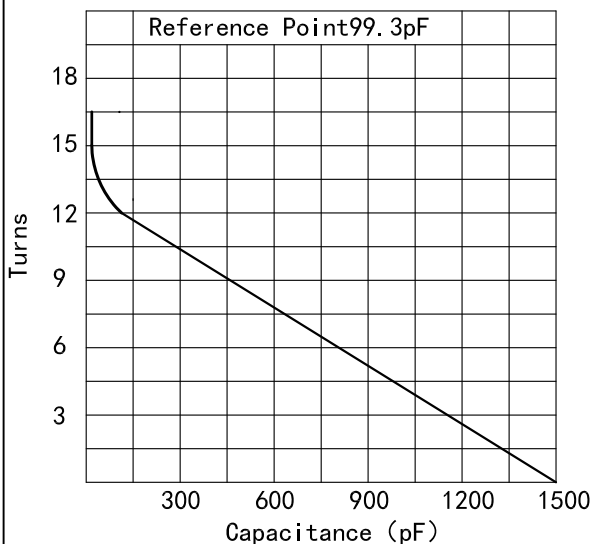
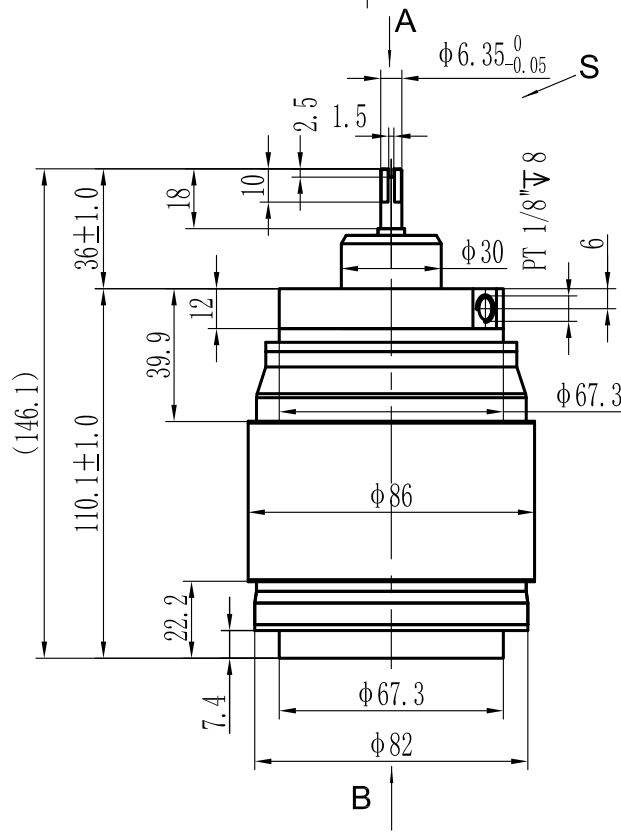
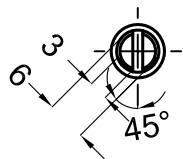
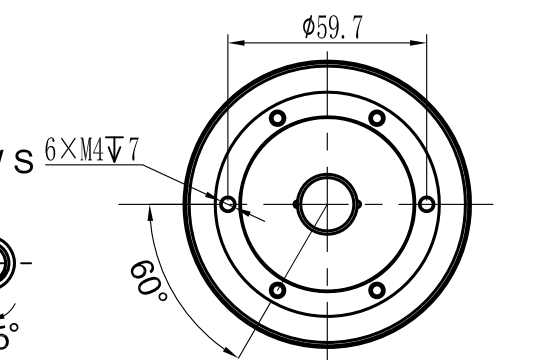
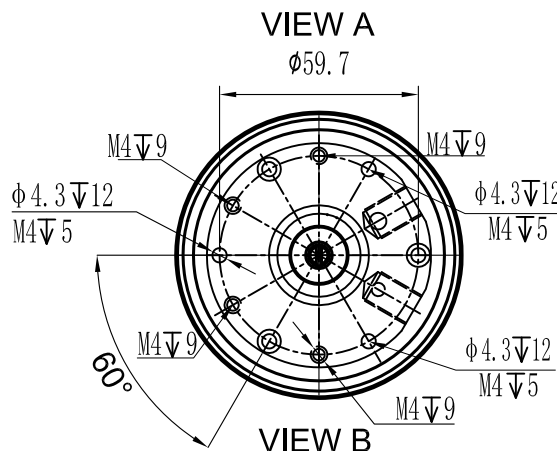
Data-Sheet-Variable Vacuum Capacitor

CKTBS1500/5/150

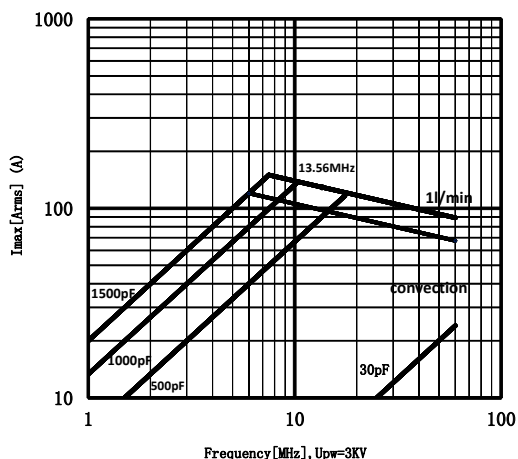


www.glvac.com

Specification	
Capacity C_{max} (nominal)	1500pF
Capacity C_{min} (nominal)	30pF
Voltage (Peak Test U_{pt} /Peak Working U_{pw})	5KVp/3KVp
Capacity Tolerance (Linear Range)	10%
Max. Current I_{max} at 13.56MHz with	150Arms
Water Cooling	1 L/min
Capacitance per turn	116.7pF/turn
Turns	16.5 ± 1
Torque	≤ 0.2 N · m
Net Weight	1.7kg



I_{max} for 1L/min water cooling;
max. water temp. at inlet: 70°C



UNLESS OTHERWISE SPECIFIED:

≤30: ±0.5 30~400: ±1.2 ≥400: ±2.5 ∠: ±1°

Address: ST28 Xihu Road, Kunshan, Jiangsu Province, China
TEL: +86 (512) 36872110

Rev: 10

Web: www.glvac.com
FAX: +86 (512) 36872122

Page 1/1

Issue: 03-Sep-2024

E-mail: e-sales@glvac.com
Zip Code: 215333