

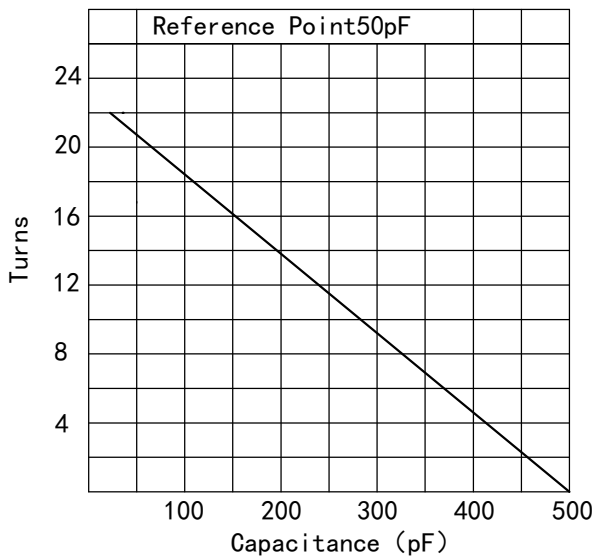
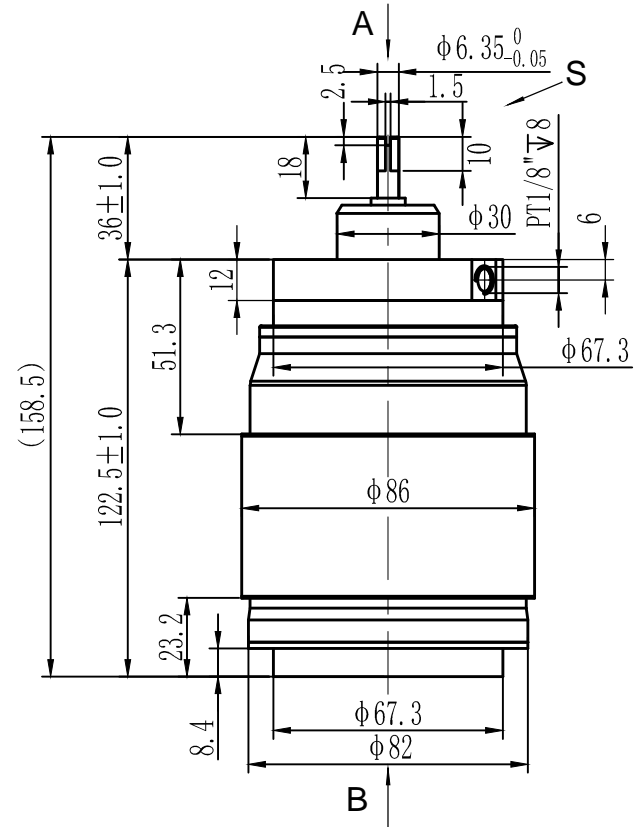
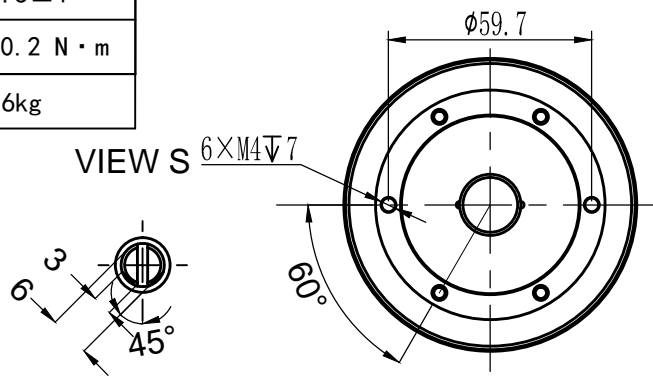
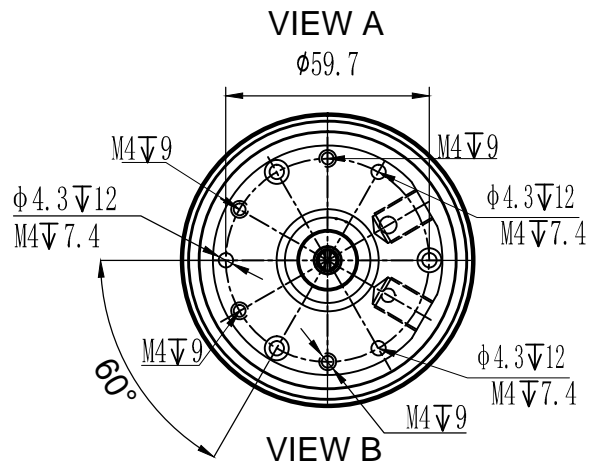
# Data-Sheet-Variable Vacuum Capacitor

## CKTBS500/15/150

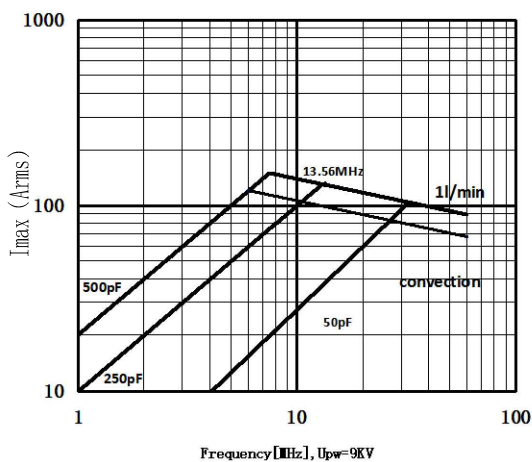


www.glvac.com

Specification	
Capacity $C_{max}$ (nominal)	500pF
Capacity $C_{min}$ (nominal)	50pF
Voltage (Peak Test $U_{pt}$ /Peak Working $U_{pw}$ )	15KVp/9KVp
Capacity Tolerance (Linear Range)	10%
Max. Current $I_{max}$ at 13.56MHz with	150Arms
Water Cooling	1 L/min
Capacitance per turn	21.9pF/turn
Turns	21.5 ± 1
Torque	≤ 0.2 N · m
Net Weight	1.6kg



$I_{max}$  for 1L/min water cooling; max. water temp. at inlet: 70°C



UNLESS OTHERWISE SPECIFIED:  
 ≤30: ±0.5    30~400: ±1.2    ≥400: ±2.5    ∠: ±1°

Rev: 10

Page1/1

Issue: 03-Sep-2024

Address: ST28 Xihu Road, Kunshan, Jiangsu Province, China  
 TEL: +86 (512) 36872110

Web: www.glvac.com  
 FAX: +86 (512) 36872122

E-mail: e-sales@glvac.cn  
 Zip Code: 215333