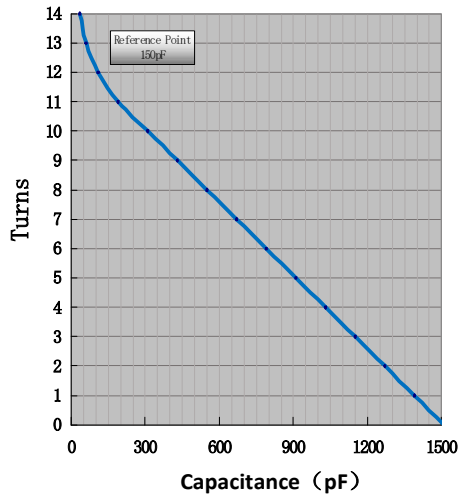


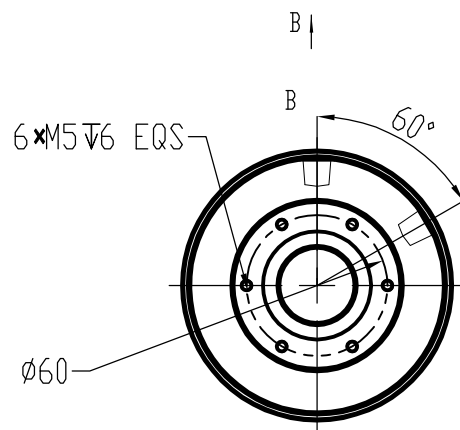
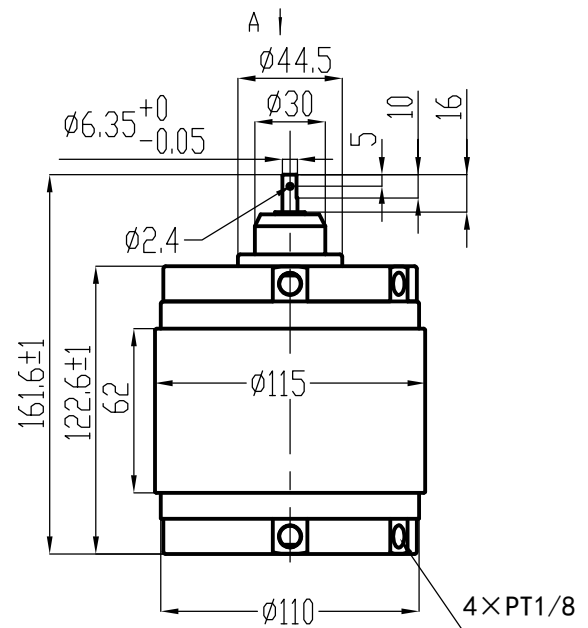
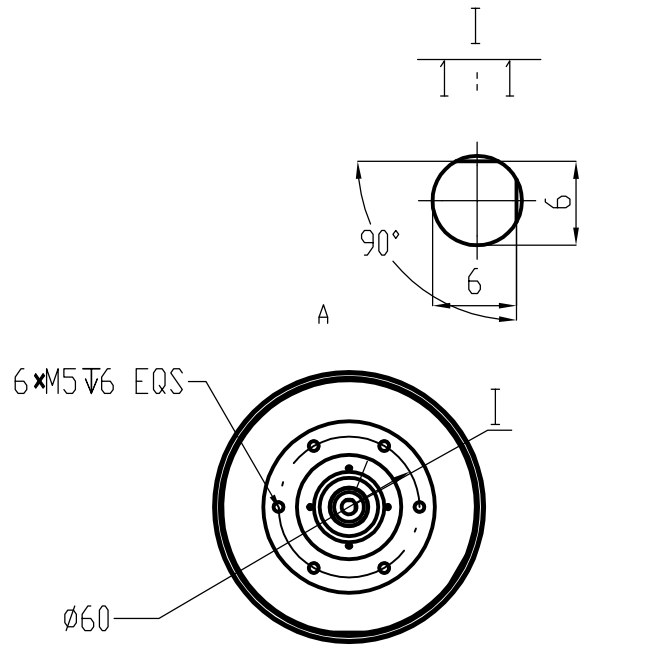
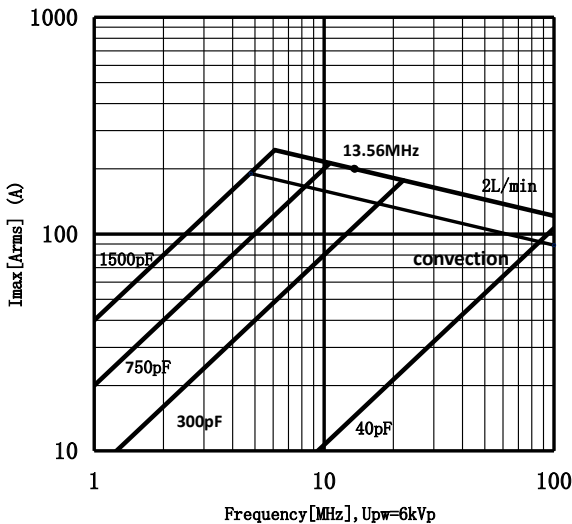
# Data-Sheet-Variable Vacuum Capacitor

## YL115-10-1500C

Specification	
Capacity $C_{max}$ (nominal)	1500pF
Capacity $C_{min}$ (nominal)	40pF
Voltage (Peak Test $U_{pt}$ /Peak Working $U_{pw}$ )	10kVp/6kVp
Capacity Tolerance (Linear Range)	$\pm 5\%$
Max. Current $I_{max}$ at 13.56MHz with Water Cooling	200Arms
	2L/min
Capacitance per turn	125pF/turn
Torque	$\leq 0.2N \cdot m$
Net Weight	$\leq 3.8kg$
Turns	$14.3 \pm 0.3$



$I_{max}$  at 2L/min water cooling; max. temp. at inlet 70 °C



UNLESS OTHERWISE SPECIFIED:

$\leq 30: \pm 0.5$   $30 \sim 400: \pm 1.2$   $\geq 400: \pm 2.5$   $\angle \pm 1^\circ$

Rev:01

Page: 1/1

Issue: 26-Jun-2024