

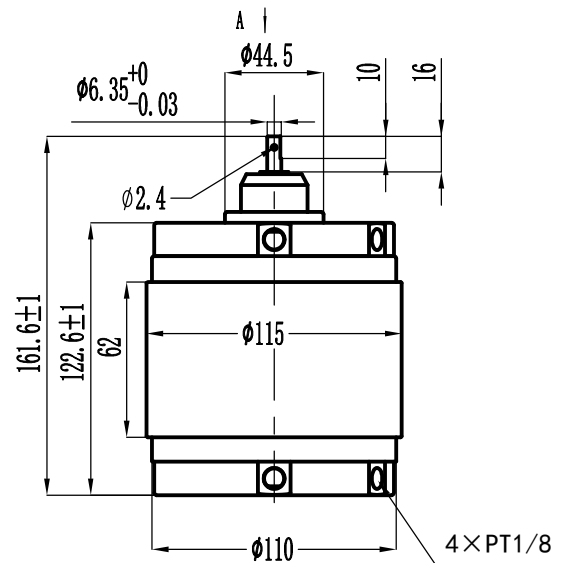
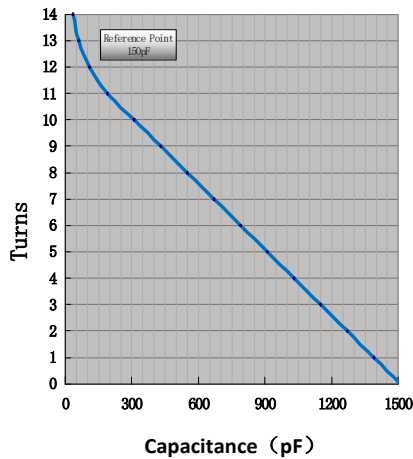
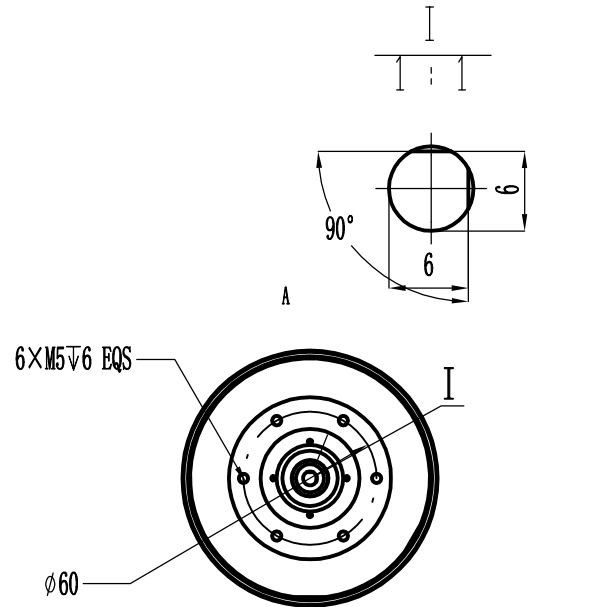
Data-Sheet-Variable Vacuum Capacitor

YL115-8-1500C

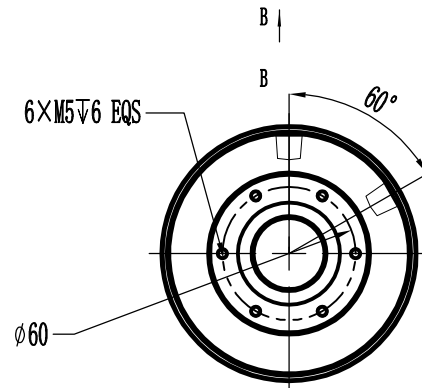
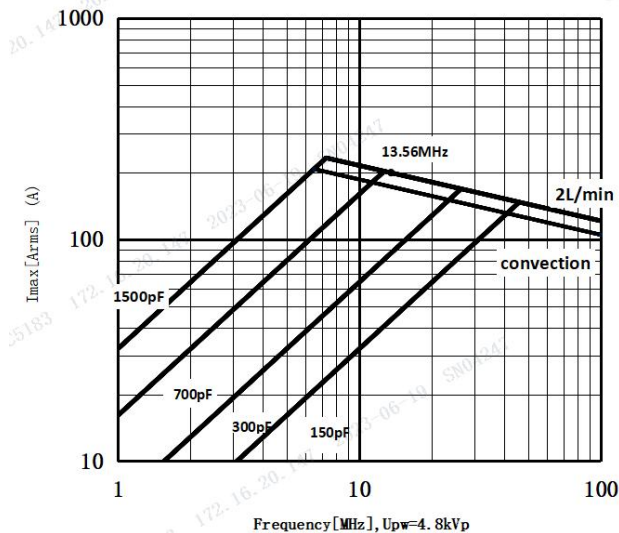


www.glvac.com

Specification	
Capacity C_{max} (nominal)	1500pF
Capacity C_{min} (nominal)	40pF
Voltage (Peak Test U_{pt} /Peak Working U_{pw})	8kVp/4.8kVp
Capacity Tolerance (Linear Range)	$\pm 5\%$
Max. Current I_{max} at 13.56MHz with	200Arms
Water Cooling	2L/min
Capacitance per turn	120pF/turn
Torque	$\leq 0.2N \cdot m$
Net Weight	$\leq 3.8kg$
Turns	14.3 ± 0.3



I_{max} at 2L/min watercooling; max. temp. at inlet 70 °C



UNLESS OTHERWISE SPECIFIED:

$\leq 30: \pm 0.5$ $30 \sim 400: \pm 1.2$ $\geq 400: \pm 2.5$ $\angle \pm 1^\circ$

Rev:01

Page: 1/1

Issue: 08-Feb-2023

Address: ST28 Xihu Road, Kunshan, Jiangsu Province, China
TEL: +86 (512) 36872110

Web: www.glvac.com
FAX: +86 (512) 36872122

E-mail: e-sales@glvac.cn
Zip Code: 215333